
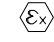
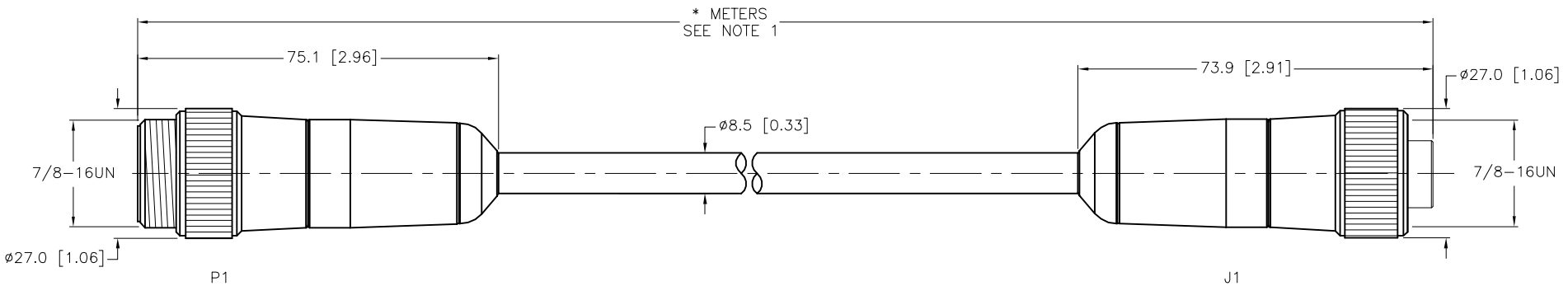


SPECIFICATIONS	
CONTACT CARRIER MATERIAL	TPV
CONNECTOR BODY MATERIAL	STAINLESS STEEL/PASSIVATED
CONTACT MATERIAL/PLATING	BRASS/GOLD
COUPLING NUT MATERIAL/FINISH	STAINLESS STEEL/PASSIVATED
GROMMET MATERIAL	TPU
RATED CURRENT [A] (@70°C)	8.0 A
RATED VOLTAGE [V]	250 V
PROTECTION CLASS	NEMA 1,3,4,4X,6P,12 & IECIP67,IP68,IP69,IP69K
OUTER JACKET MATERIAL/COLOR	EX60/BLACK
CONDUCTOR INSULATION MATERIAL	XLPE
CONDUCTORS	3x18 AWG
DRAIN/SHIELD	20 AWG/ALUMINUM-POLYESTER FOIL
CONDUCTOR ARRANGEMENT	1 SHIELDED TWISTED PAIR w/DRAIN, 1 GROUND
CABLE TEMPERATURE RATING	-60°C to +105°C (-76°F to +221°F)
CABLE APPROVALS	UL: TC-ER/ITC-ER/PLTC-ER, 105C, 600V; -40C COLD IMPACT; -60C COLD BEND CSA: CIC/TC, DIRECT BURIAL, 90C, 600V; -40C COLD IMPACT; -60C COLD BEND UL 1309 MARINE SHIPBOARD; ABS CERTIFIED; IEEE 1202/FT4; IEEE 1580; IEC 60332-3-22
APPROVAL MARKING ON DEVICE	 FM15ATEX0066X / IECEx FMG 16.0032X II 3 G Ex nA IIC T5 Gc; II 3 G Ex ec IIC T5 Gc;  CI I, Zn 2, AEx nA IIC T5; CI I, Zn 2, AEx ec IIC T5; CI I, Div 2, Grps A, B, C, D T5 Install per Turck control dwg Ni-2.422 -40°C ≤ Ta ≤ 70°C (≤ 90°C with I ≤ 600mA) PROTECTION CLASS: IP68

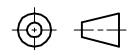


CABLE LENGTH	TOLERANCE*
ALL LENGTHS	+ 4% (OR 50mm) OF LENGTH - 0% (OR 0mm) OF LENGTH WHICHEVER IS GREATER
STRIP LENGTH	TOLERANCE*
0-7mm	±0.5mm
8-29mm	±1.0mm
30-49mm	±2.0mm
50-69mm	±3.0mm
70-100mm	±4.0mm
OVER 100mm	±5.0mm

* UNLESS OTHERWISE SPECIFIED

NOTES:
1. "*" INDICATES CABLE LENGTH IN METERS. CONTACT TURCK TO ORDER SPECIFIC LENGTHS.

SOURCE DRAWING - FOR REFERENCE ONLY

RELATED DOCUMENTS	3RD ANGLE PROJECTION	THIS DRAWING IS CONFIDENTIAL AND THE PROPERTY OF TURCK INC. USE OF THIS DOCUMENT WITHOUT WRITTEN PERMISSION IS PROHIBITED.		3000 CAMPUS DRIVE MINNEAPOLIS, MN 55441 1-800-544-7769 (763) 553-7300 (763) 553-0708 fax www.turck.us	
1.		DRFT	RDS	DATE	11/04/15
2.		APVD	J.B.	SCALE	1=1.3
3.	ALL DIMENSIONS DISPLAYED ON THIS DRAWING ARE FOR REFERENCE ONLY	UNIT OF MEASUREMENT		DESCRIPTION	
4.		MILLIMETER [INCH]		P-X-RSVZ RKVZ 40-1188XL-*M	
MATERIAL	CONTACT TURCK FOR MORE INFORMATION	IDENTIFICATION NO.		REV	
SEE SPECIFICATIONS				G	
FINISH	DO NOT SCALE THIS DRAWING	FILE: 777036293		SHEET 1 OF 1	
SEE SPECIFICATIONS					

G	UPDATE PROTECTION CLASS	CBM	04/13/21	76628
REV	DESCRIPTION	BY	DATE	ECO NO.